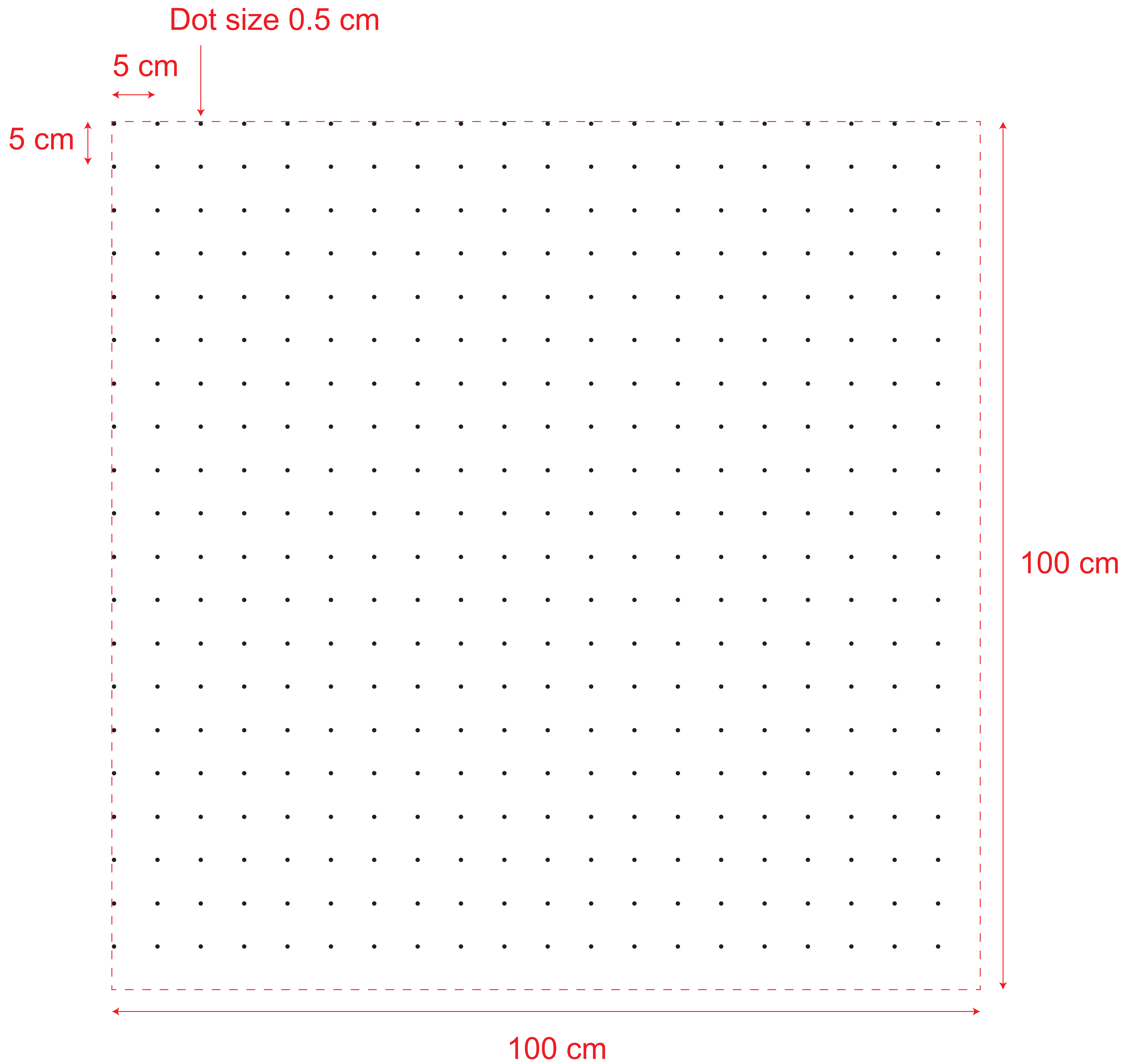


ANNEX 1 DECAL USE AT HANDS-ON-HOUSE IN HORTPARK

This document features various bird-themed decals designed by the National Parks Board's (NParks) Design Division. These decals were applied to the glass windows of the Hands-on-House building in HortPark and helped mitigate bird-building collisions at the site. For more information, you may refer to the associated case study on page 21 of the Bird-Safe Building Guidelines. These designs may be freely used and/or modified.

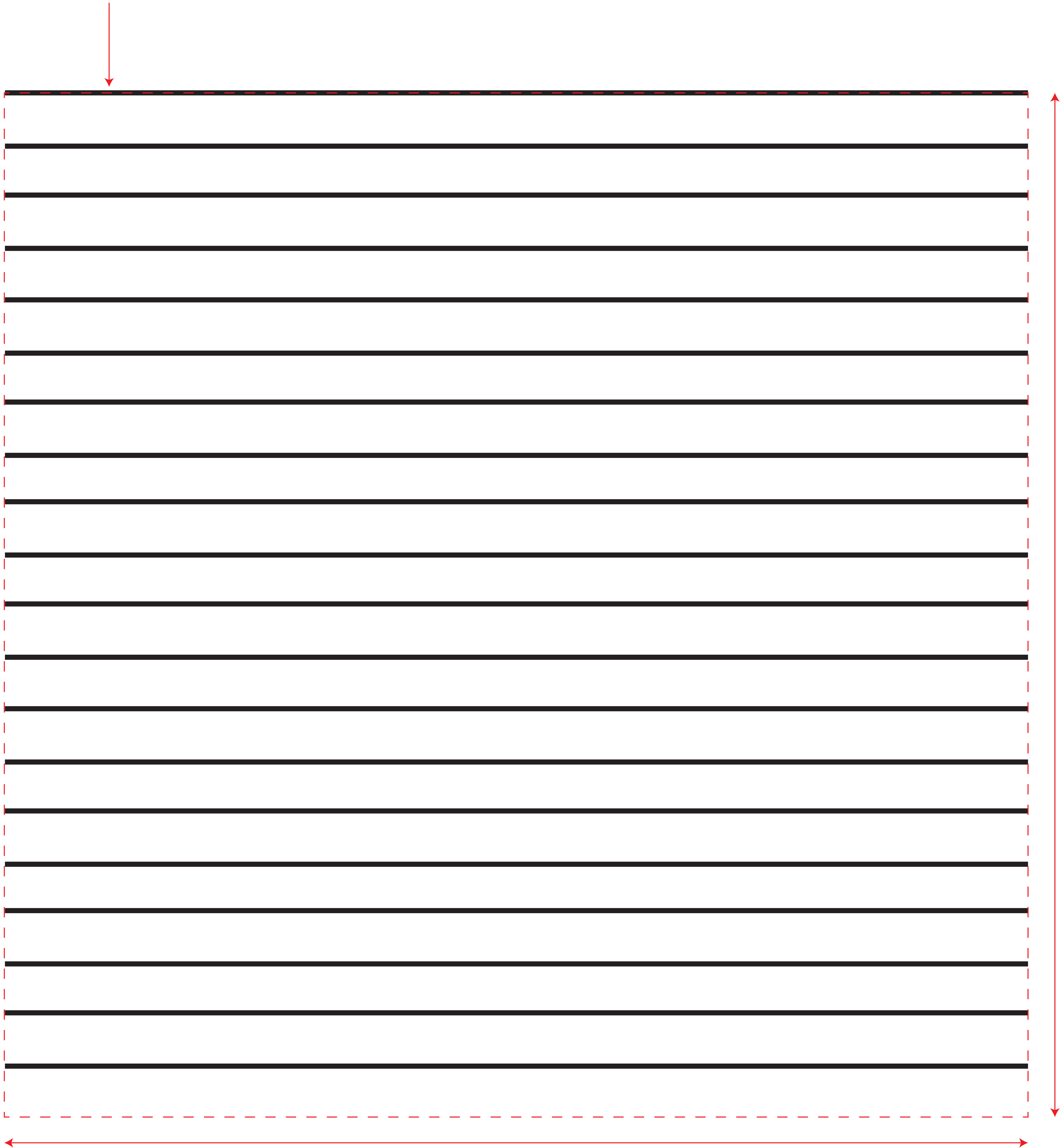
Dots



Lines

Line thickness 0.5 cm

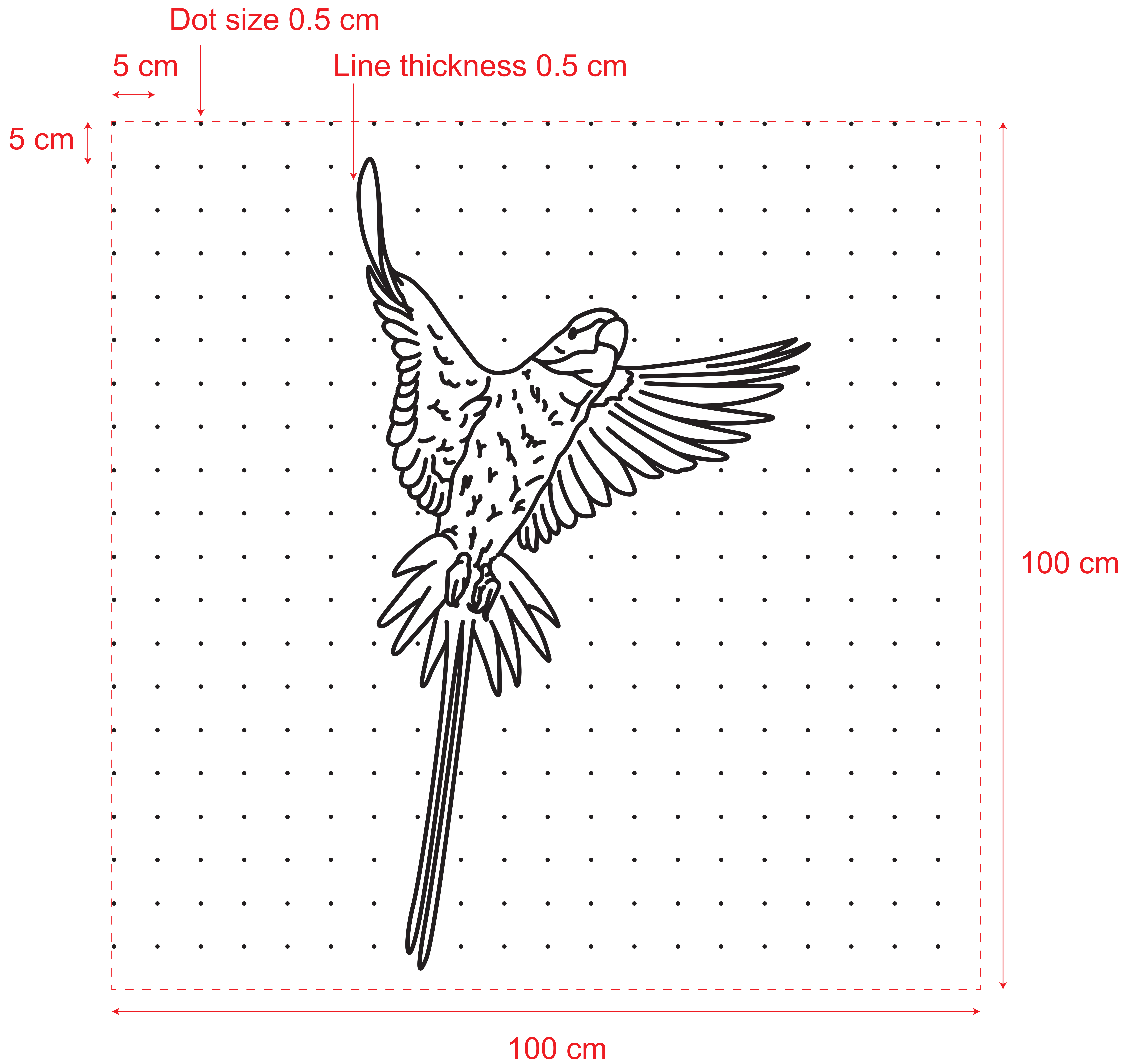
5 cm



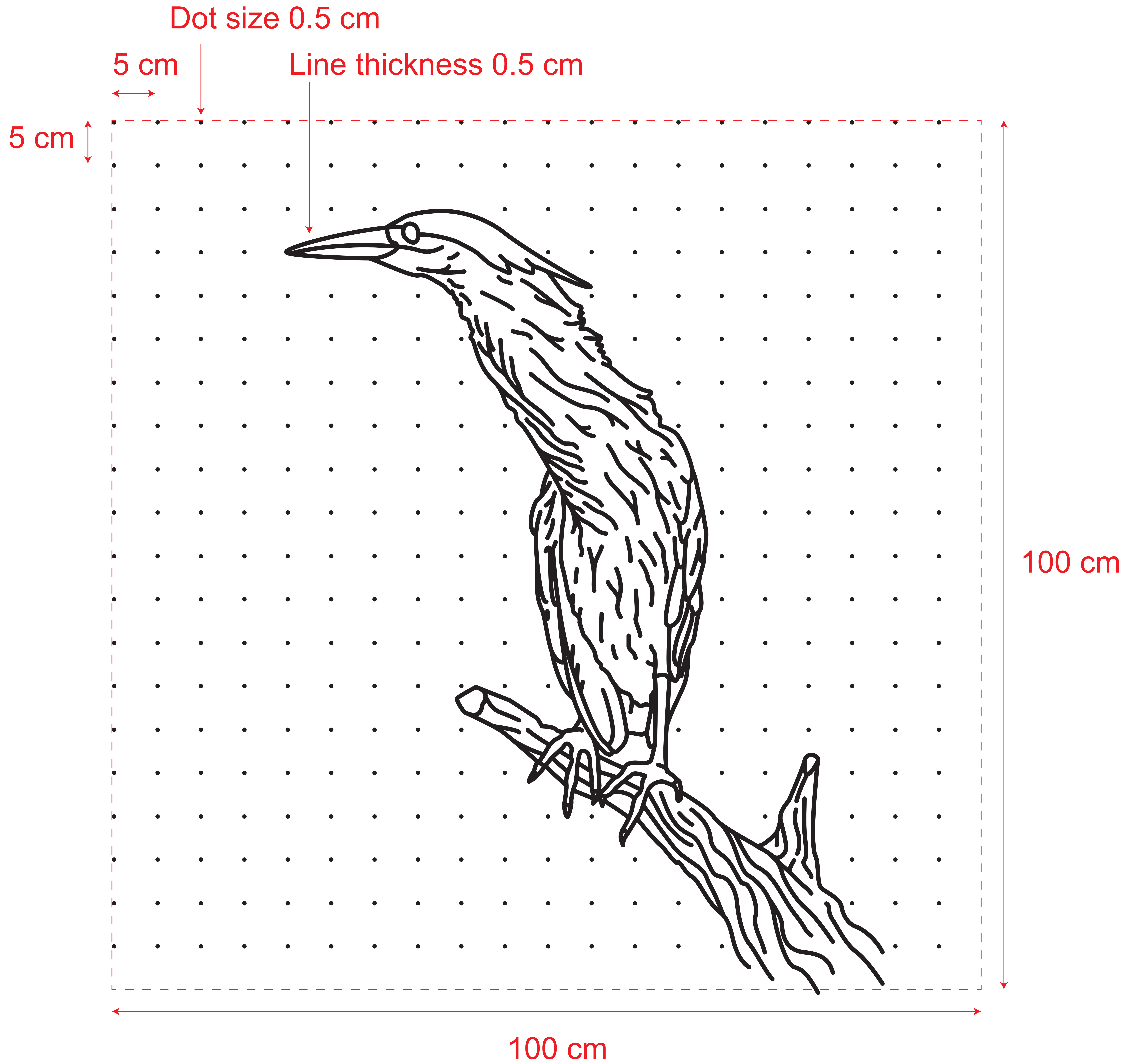
100 cm

100 cm

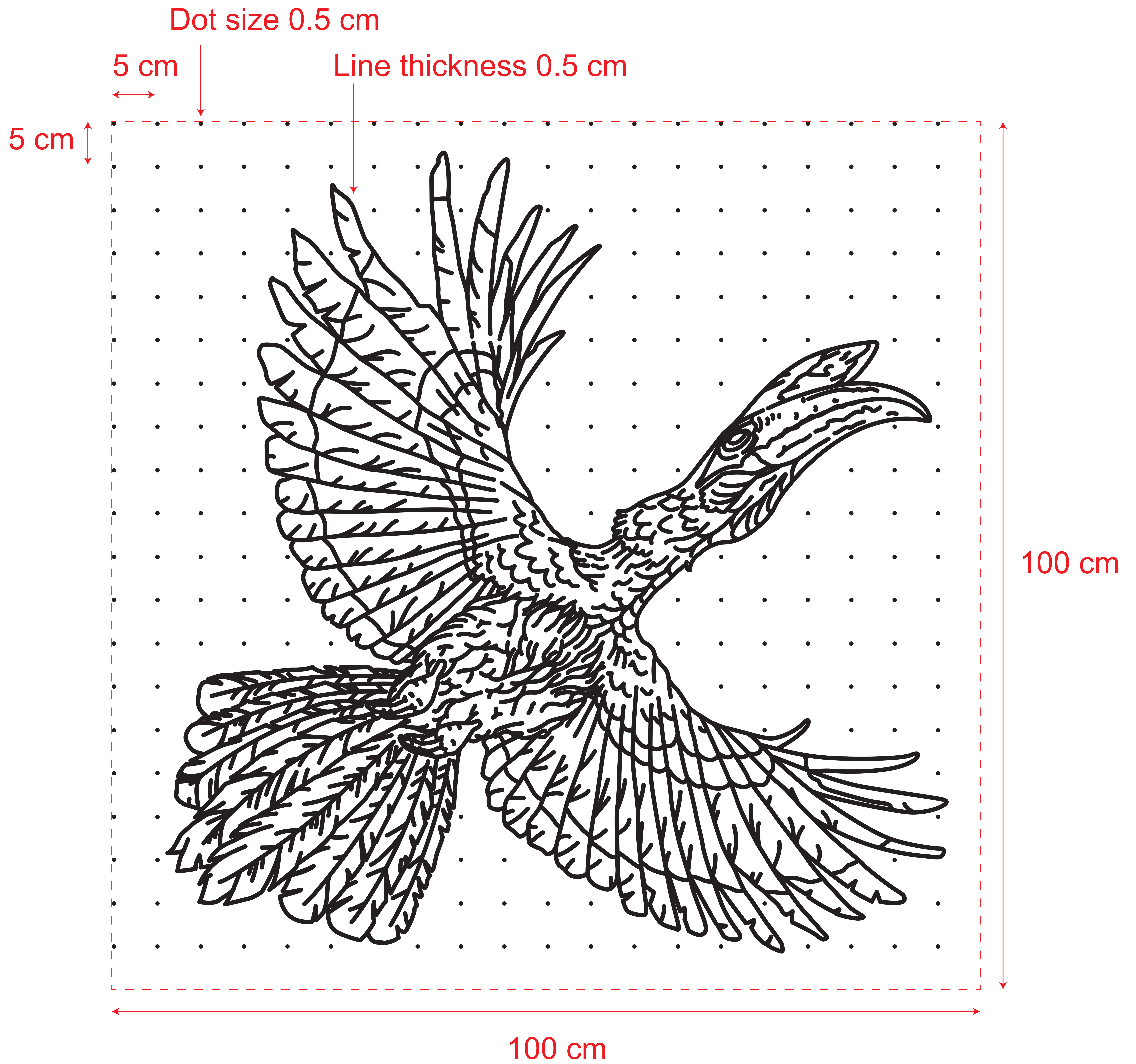
Graphic - Long-tailed Parakeet



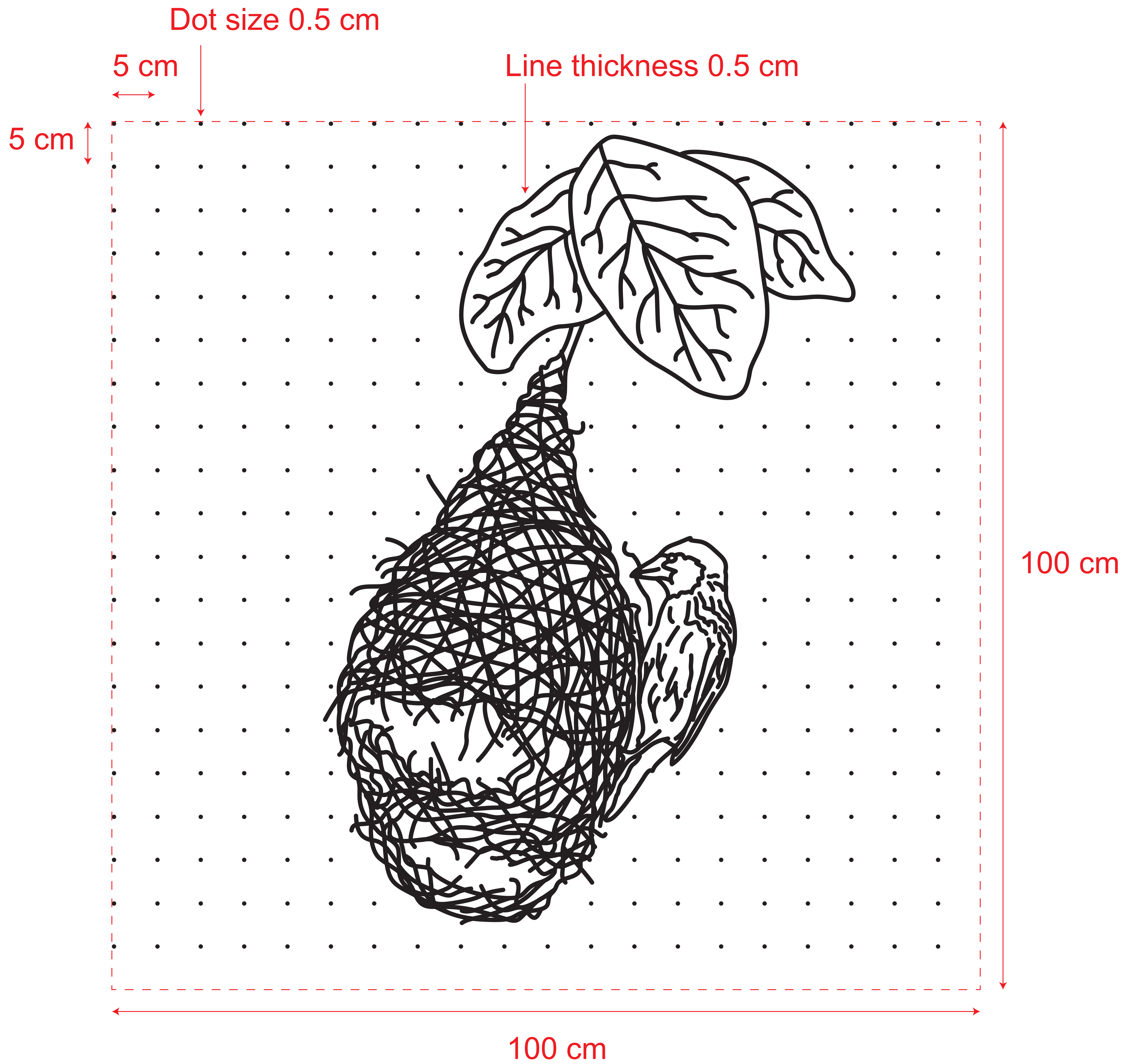
Graphic - Striated Heron



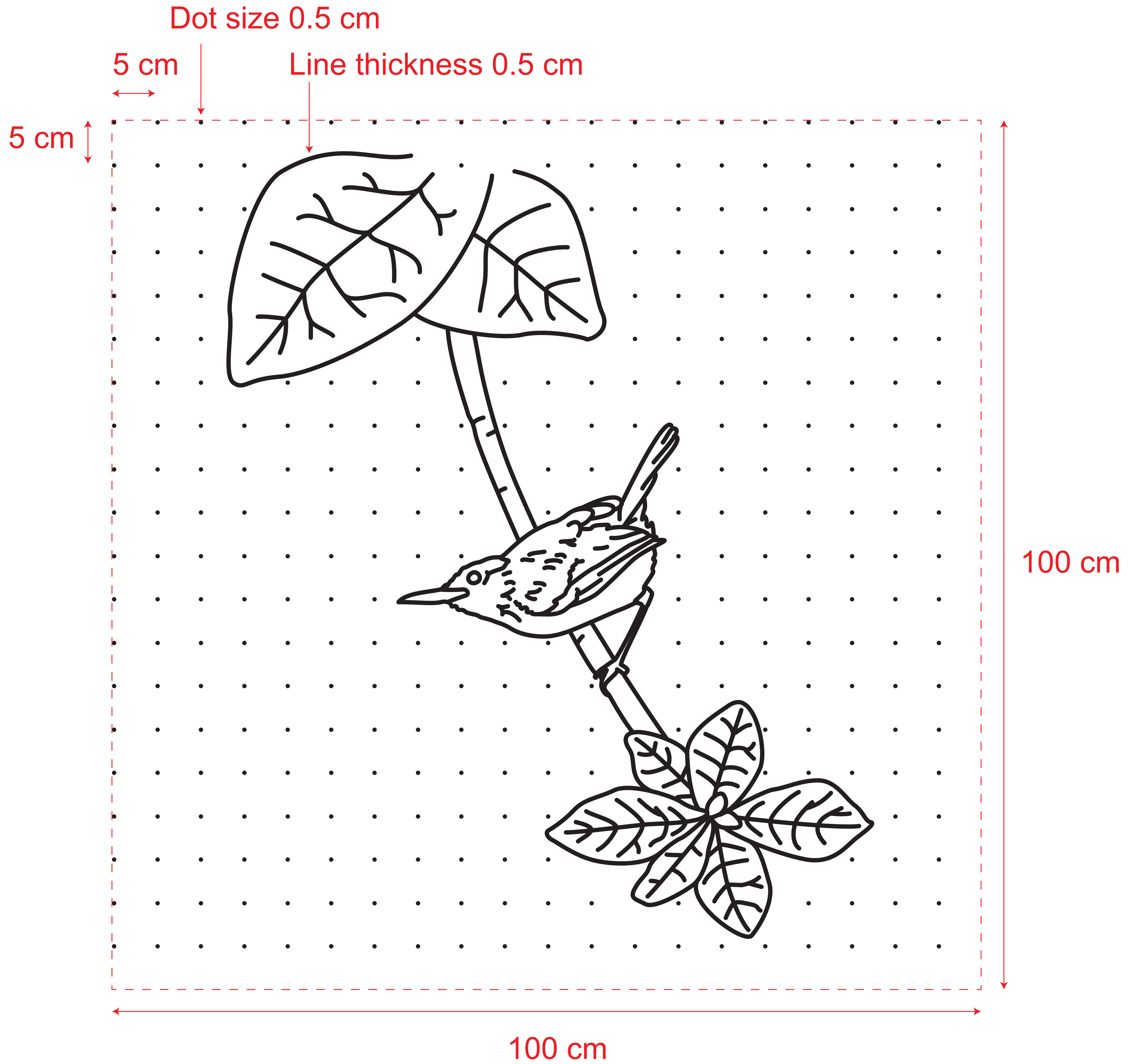
Graphic - Oriental Pied Hornbill



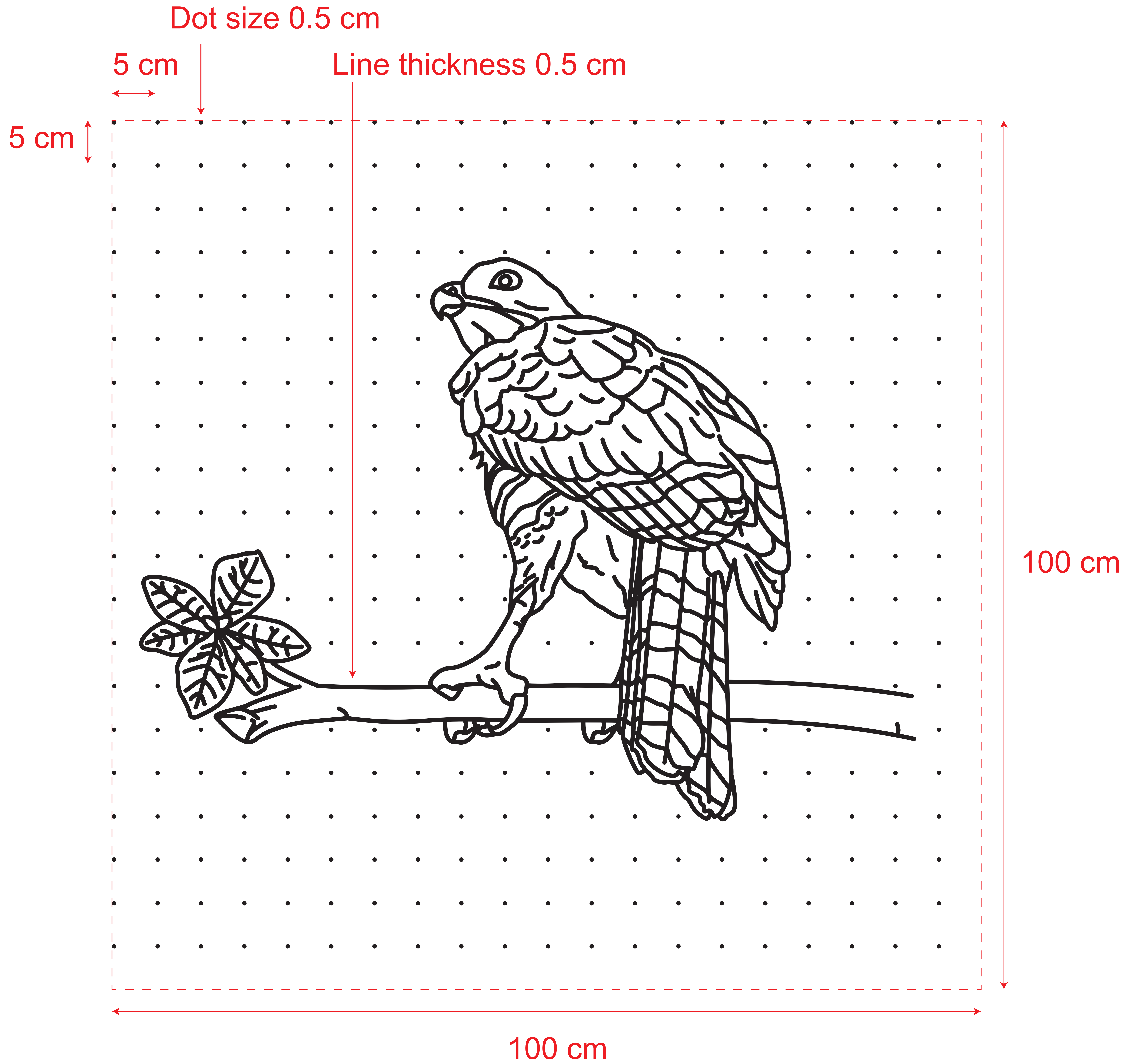
Graphic - Baya Weaver



Graphic - Dark-necked Tailorbird



Graphic - Crested Goshawk



Graphic - Kingfisher

