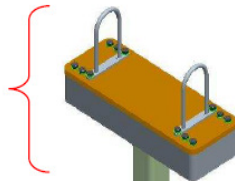


MEDIA FACTSHEET

Dynamic Support System for Heritage Tembusu Tree

Top Support:
Support for the tree branch



Jack Mechanism:
To lower and raise the Top Support. Allows the Top Support to be separated from the tree branch to prevent fusing.

Bottom Structure:
Supporting pillar for the whole structure. Embedded into the ground.

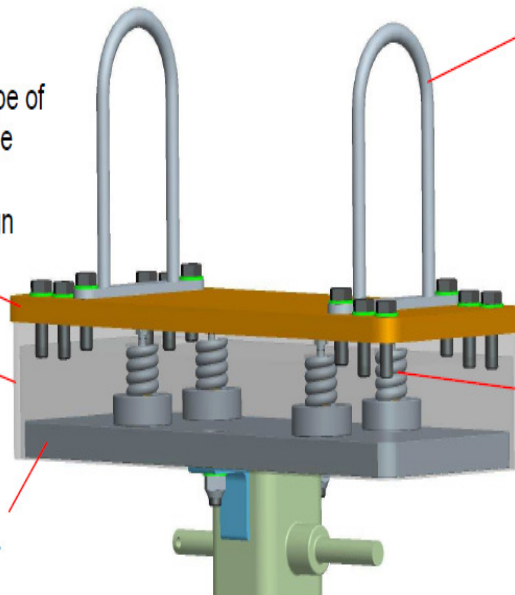
Support Top:
Seat for the tree branch. Similar type of material as the tree branch to avoid contact with foreign material.

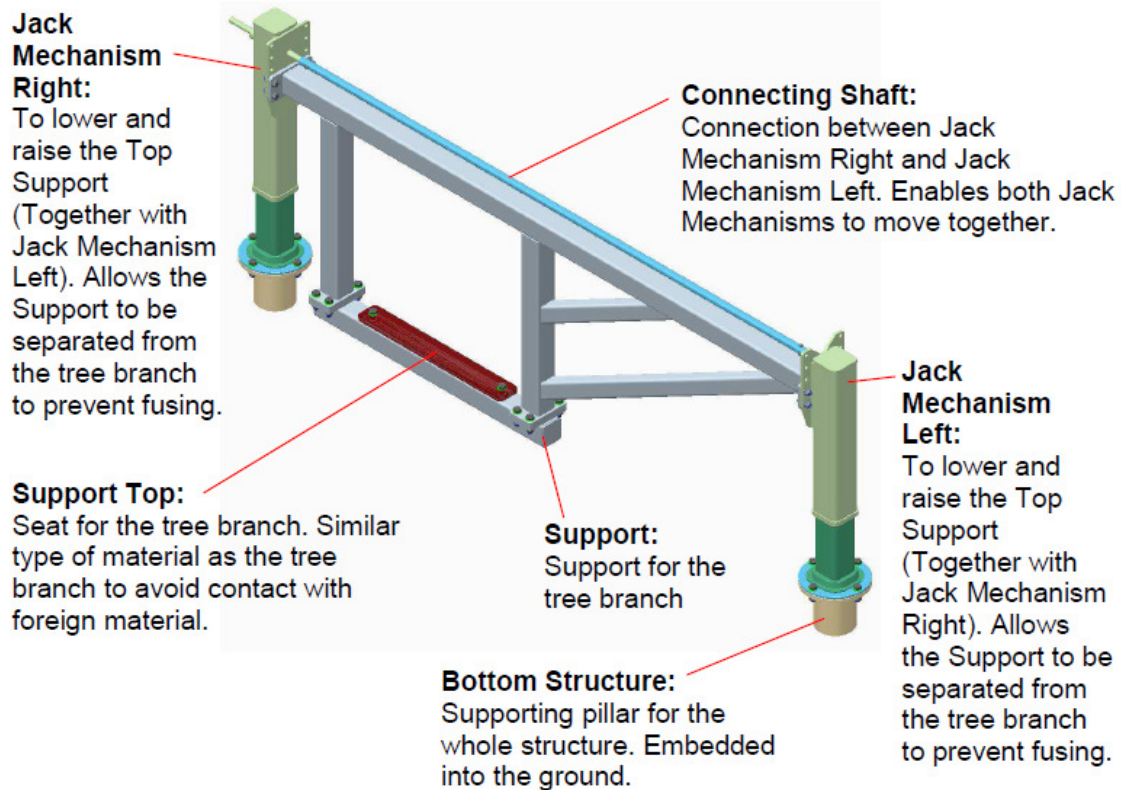
Restrict Bar:
To prevent the tree branch from swinging out of the Top Support

Support Middle:
Movable support

Spring:
Allows downward vertical movement for the tree branch under wind loads

Support Bottom:
Mounting plate for the springs





The dynamic support system strives to provide an environment for the iconic Tembusu Tree's lateral limb to sway naturally under wind while supporting it at the same time. It aims to facilitate the strengthening of the tree branch and eventually enable the branch to support itself without any external supports.

- Enables the tree branch to gradually adjust to the wind environment
- Allows the tree branch to gradually re-gain the ability to bear its own weight
- Prevents fusing of the supports to the tree branch
- Facilitates the natural growth of the tree

Heritage Trees

Majestic mature trees are the natural heritage of Singapore and serve as important green landmarks of our City in a Garden. They help us to identify with and stay rooted to the place we live in. Like our City in a Garden, these trees take decades to mature gracefully and beautify our landscape. As Singapore progresses, there is a danger of losing these mature trees. In view of this, the Heritage Trees Scheme was announced in 2001 with the objective of promoting conservation of our mature trees to the community. In support of this initiative, a Heritage Trees Fund was established then by The Hongkong and Shanghai Banking Corporation Limited (HSBC) to kick-start a conservation programme that safeguards our Heritage Trees and promotes appreciation of our natural heritage. Some of these programme initiatives now include installation of lightning conductors, interpretive signage, and putting in place a platform for the community to nominate trees to be conserved under this scheme.

The Heritage Tree Scheme is open to the public, anyone can nominate a Heritage Tree. To qualify as a Heritage Tree, it has to have a girth of more than 5 metres, be of a rare species and hold historical significance.

As of May 2014, there are a total of 214 Heritage Trees in Singapore. There are more than 40 Heritage Trees within the Singapore Botanic Gardens, some of which are older than the Gardens itself.

To learn more about our Heritage Tree Scheme, and other Heritage Trees in Singapore, visit www.nparks.gov.sg/heritagetrees

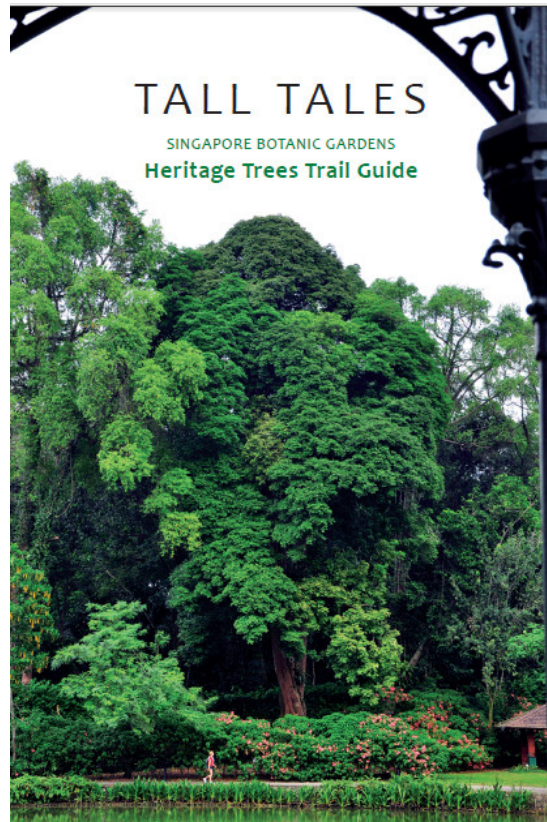
Tembusu Tree

The Tembusu (*Cyrtophyllum fragrans*) is one of Singapore's most distinctive trees. This native of Singapore is a large, evergreen tree that grows up to 40m in height.

This tree can be recognised by its deeply fissured dark brown bark and unique perpendicular branching. It is highly robust and can grow even in poorly drained, clayey soils.

During the flowering season in May - June and October - November, its creamy white flowers open at sunset and give off a strong fragrance in the evening.

Tall Tales : Singapore Botanic Gardens Heritage Trees Trail Guide



Published by the National Parks Board (NParks) and designed and printed by Stallion Press Pte Ltd, "Tall Tales: Singapore Botanic Gardens Heritage Trees Trail Guide" is a guide to the Heritage Trees in the Singapore Botanic Gardens.

Authored by Shee Zhi Qiang, Ang Xing Qi, Lahiru Wijedasa and Dr Nigel Taylor, the 96-page book is the Singapore Botanic Gardens' first book on Heritage Trees. It is a handy guide to the Gardens' Heritage Trees for both the intrepid visitor and the armchair arborist. Containing 29 short stories on these majestic trees alongside botanical notes, the book is enriched with botanical illustrations and photographs by both historical and contemporary sources. Many of the pictures in the book were contributed by the community, some of whom participated in the City in a Garden photography competition held in 2011.

The book was sponsored by Mrs Kirtida Mekani, a self-professed nature lover and Garden City Fund committee member. Mrs Mekani is a Community in Bloom ambassador and has been credited with initiating the Plant-A-Tree Programme in Singapore.

Tall Tales was launched by President Tony Tan Keng Yam on 27 May 2014, who also wrote the book's foreword. It will be available for purchase at The Gardens Shop @ Nassim Gate and the Singapore Botanic Gardens Library Shop at a promotional price of S\$7.60 from today until 8 June, and S\$9.50 thereafter. The book will be on sale at major bookstores from 12 June.

These Heritage Trees form an integral part of the Gardens' history and contribute significantly to its value as Singapore's first World Heritage Site nomination. This book will serve to enhance our visitors' appreciation of the trees and to engage the public in conserving our natural heritage.